

MGI27ML

Gearless Type	Traction Sheave [mm]		Dimensions [mm]			
	Ø D	F	A	B	C	E
MGI27ML	240	70	680	325	362	55
MGI27ML	240	106	680	325	362	64
MGI27ML	320	115	680	342	362	66.5

Static Load
3,400kg

Normal Torque
530Nm

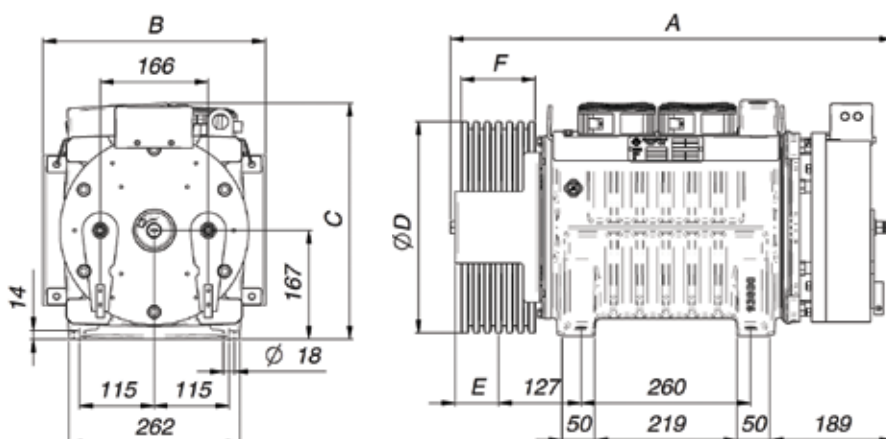
Motor Weight
220kg

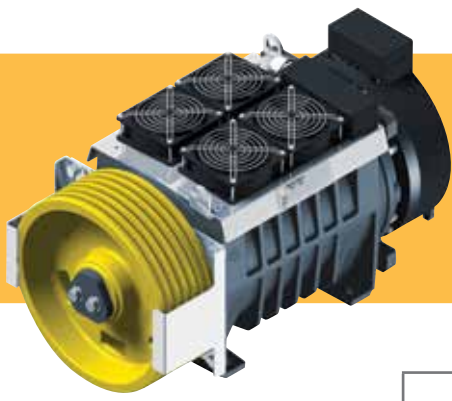
Working Duty
S5-40%ED 180s/h

Encoder Type
ENDAT, SINCOS, SSI

Brake Type
DSZ-600MTX [2x600Nm]

Brake Power
207V 200W





MGI27ML

Machine Type	Roping Factor	Load [Kg]	Lift Speed [m/s]	Sheave			Operating Data							
				Diameter [mm]	Max Ropes	Pitch [mm]	Voltage [V]	Torque [Nm]	Output Power [kW]	Speed [RPM]	Current [A]	Frequency [Hz]	Poles	
MGI27200803	2:1	884	0.5	320	6xØ8	17	463	2.9	59.7	13.1	8.0	16		
MGI27200803			0.63	320	6xØ8	17		3.7	75.2	13.1	10.0	16		
MGI27201203			1	320	6xØ8	17		5.8	119.4	16.6	15.9	16		
MGI27201923			1.5	320	6xØ8	17		8.7	179.1	22.7	23.9	16		
MGI27202553			1.75	320	6xØ8	17		10.1	209.0	29.7	27.9	16		
MGI27202553			2	320	6xØ8	17		11.6	238.9	29.7	31.8	16		
MGI27203003			2.5	320	6xØ8	17		14.5	298.6	32.4	39.8	16		
MGI27200803	2:1	1,020	0.5	320	6xØ8	17	526	3.3	59.7	14.9	8.0	16		
MGI27200803				240	6xØ6.5	12	395	3.3	79.6	11.2	10.3	16		
MGI27200803			0.63	320	6xØ8	17	526	4.1	75.2	14.9	10.0	16		
MGI27201203				240	6xØ6.5	12	395	4.1	100.3	14.1	13.4	16		
MGI27201203			1	320	6xØ8	17	526	6.6	119.4	18.9	15.9	16		
MGI27201923				240	6xØ6.5	12	395	6.6	159.2	19.4	21.2	16		
MGI27201923			1.5	320	6xØ8	17	526	9.9	179.1	25.8	23.9	16		
MGI27202553				240	6xØ6.5	12	395	9.9	238.9	25.3	31.8	16		
MGI27202553			1.75	320	6xØ8	17	526	11.5	209.0	33.8	27.9	16		
MGI27203003				240	6xØ6.5	12	395	11.5	278.7	27.6	37.2	16		
MGI27202553			2	320	6xØ8	17	526	13.2	238.9	33.8	31.8	16		
MGI27203003				240	6xØ8	17	526	16.5	298.6	36.7	39.8	16		
MGI27200803			2:1	1,224	0.5	240	10xØ6.5	9.5	465	3.9	79.6	13.2	10.6	16
MGI27201203					0.63	240	10xØ6.5	9.5	465	4.9	100.3	16.7	13.4	16
MGI27201923					1	240	10xØ6.5	9.5	465	7.8	159.2	22.8	21.2	16
MGI27202553	1.5	240			10xØ6.5	9.5	465	11.6	238.9	29.9	31.8	16		
MGI27203003	1.75	240			10xØ6.5	9.5	465	13.6	278.7	32.5	37.2	16		

Note 1 Operating data considering 85% of shaft efficiency and 30kg of ropes weight.

Note 2 For different ropes weight and shaft efficiency, please consult sales department or our configurator software.



Montanari Lifts Components Pvt. Ltd.

Email: infoindia@montanari-giulio.com
www.montanarigiulio.com
www.montanarilift.in