

MGI27S

Gearless Type	Traction Sheave [mm]		Dimensions [mm]			
	Ø D	F	A	B	C	E
MGI27S	240	80	486	300	344	52.5
MGI27S	320	75	486	344	357	49.5

Static Load
1,600kg

Normal Torque
250Nm

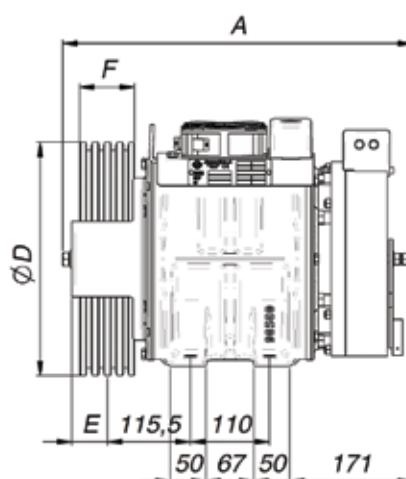
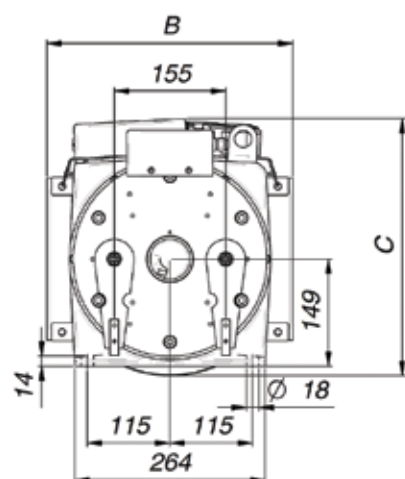
Motor Weight
120kg

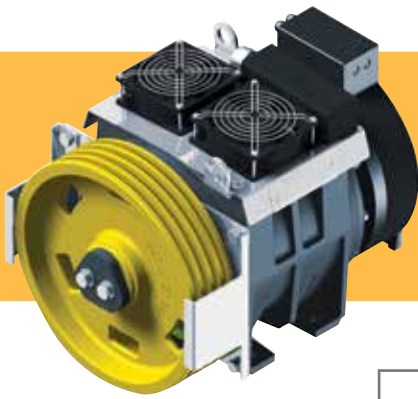
Working Duty
S5-40%ED 180s/h

Encoder Type
ENDAT, SINCOS, SSI

Brake Type
DSZ-400MTX [2x400Nm]

Brake Power
207V 200W





MGI27S

Machine Type	Roping Factor	Load [Kg]	Lift Speed [m/s]	Sheave			Operating Data						
				Diameter [mm]	Max Ropes	Pitch [mm]	Voltage [V]	Torque [Nm]	Output Power [kW]	Speed [RPM]	Current [A]	Frequency [Hz]	Poles
MGI27100603	2:1	408	0.5	320	4xØ8	17	360 3ph	244	1.5	59.7	7.9	8.0	16
MGI27101203				240	6xØ6.5	12		183	1.5	79.6	8.0	10.6	16
MGI27101203			0.63	320	4xØ8	17		244	1.9	75.2	10.7	10.0	16
MGI27101203				240	6xØ6.5	12		183	1.9	100.3	8.0	13.4	16
MGI27101203			1	320	4xØ8	17		244	3.0	119.4	10.7	15.9	16
MGI27101923				240	6xØ6.5	12		183	3.0	159.2	10.6	21.2	16
MGI27101923			1.5	320	4xØ8	17		244	4.6	179.1	14.1	23.9	16
MGI27102803				240	6xØ6.5	12		183	4.6	238.9	13.9	31.8	16
MGI27102803			1.75	320	4xØ8	17		244	5.3	209.0	18.5	27.9	16
MGI27102803				240	6xØ6.5	12		183	5.3	278.7	13.9	37.2	16
MGI27102803			2.00	320	4xØ8	17		244	6.1	238.9	18.5	31.8	16
MGI27103603				240	6xØ6.5	12		183	6.1	318.5	14.3	42.5	16
MGI27103603			2.5	320	4xØ8	17		244	7.6	298.6	19.0	39.8	16
MGI27101203				2:1	544	0.5		240	6xØ6.5	12	230	1.9	79.6
MGI27101203	0.63	240	6xØ6.5			12	230	2.4	100.3	10.1	13.4	16	
MGI27101923	1	240	6xØ6.5			12	230	3.8	159.2	13.3	21.2	16	
MGI27102803	1.5	240	6xØ6.5			12	230	5.8	238.9	17.5	31.8	16	
MGI27102803	1.75	240	6xØ6.5			12	230	6.7	278.7	17.5	37.2	16	
MGI27103603	2	240	6xØ6.5			12	230	7.7	318.5	20.4	42.5	16	

Note 1 Operating data considering 85% of shaft efficiency and 30kg of ropes weight.

Note 2 For different ropes weight and shaft efficiency, please consult sales department or our configurator software.

