

MGI27M

Gearless Type	Traction Sheave [mm]		Dimensions [mm]			
	Ø D	F	A	B	C	E
MGI27M	240	70	561	300	344	55
		106				64
MGI27M	320	80	561	344	357	51.5
		115				75

Static Load
3,400kg

Normal Torque
385Nm

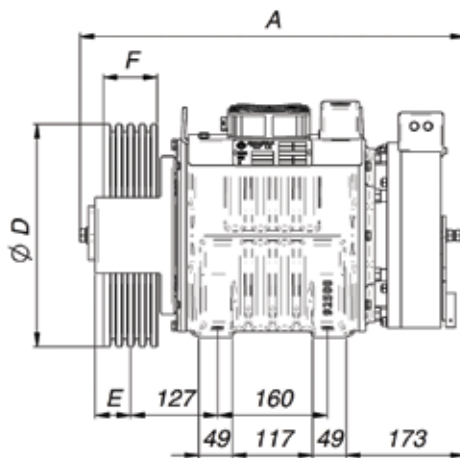
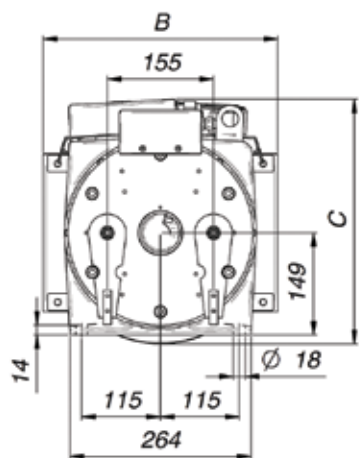
Motor Weight
180kg

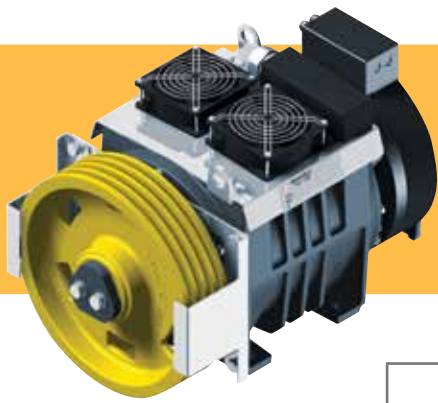
Working Duty
S5-40%ED 180s/h

Encoder Type
ENDAT, SINCOS, SSI

Brake Type
DSZ-400MTX [2x400Nm]

Brake Power
207V 200W





MGI27M

Machine Type	Roping Factor	Load [Kg]	Lift Speed [m/s]	Sheave			Operating Data							
				Diameter [mm]	Max Ropes	Pitch [mm]	Voltage [V]	Torque [Nm]	Output Power [kW]	Speed [RPM]	Current [A]	Frequency [Hz]	Poles	
MGI27150803	2:1	544	0.5	320	4xØ8	17	360 3ph	307	1.9	59.7	9.6	8.0	16	
MGI27150803			0.63	320	4xØ8	17		307	2.4	75.2	9.6	10.0	16	
MGI27151203			1	320	4xØ8	17		307	3.8	119.4	11.9	15.9	16	
MGI27151923			1.5	320	4xØ8	17		307	5.8	179.1	15.9	23.9	16	
MGI27152803			1.75	320	4xØ8	17		307	6.7	209.0	21.5	27.9	16	
MGI27152803			2.00	320	4xØ8	17		307	7.7	238.9	21.5	31.8	16	
MGI27153803			2.5	320	4xØ8	17		307	9.6	298.6	27.9	39.8	16	
MGI27150803	2:1	680	0.5	320	6xØ8	17		360 3ph	369	2.3	59.7	11.5	8.0	16
MGI27150803				240	8xØ6.5	12			277	2.3	79.6	8.6	10.6	16
MGI27150803			0.63	320	6xØ8	17			369	2.9	75.2	11.5	10.0	16
MGI27151203				240	8xØ6.5	12			277	2.9	100.3	10.8	13.4	16
MGI27151203			1	320	6xØ8	17			369	4.6	119.4	14.4	15.9	16
MGI27151923				240	8xØ6.5	12			277	4.6	159.2	14.4	21.2	16
MGI27151923			1.5	320	6xØ8	17			369	6.9	179.1	19.2	23.9	16
MGI27152803				240	8xØ6.5	12	277		6.9	238.9	19.4	31.8	16	
MGI27152803			1.75	320	6xØ8	17	369		8.1	209.0	25.9	27.9	16	
MGI27152803				240	8xØ6.5	12	277		8.1	278.7	19.4	37.2	16	
MGI27152803			2.00	320	6xØ8	17	369		9.2	238.9	25.9	31.8	16	
MGI27153803				240	8xØ6.5	12	277		9.2	318.5	25.5	42.5	16	
MGI27153803			2.5	320	6xØ8	17	369		11.5	298.6	33.6	39.8	16	
MGI27150803			2:1	884	0.5	240	8xØ6.5		12	360 3ph	348	2.9	79.6	10.8
MGI27151203	0.63	240			8xØ6.5	12	348	3.7	100.3		13.5	13.4	16	
MGI27151923	1	240			8xØ6.5	12	348	5.8	159.2		18.1	21.2	16	
MGI27152803	1.5	240			8xØ6.5	12	348	8.7	238.9		24.4	31.8	16	
MGI27152803	1.75	240			8xØ6.5	12	348	10.1	278.7		24.4	37.2	16	
MGI27153803	2.00	240			8xØ6.5	12	348	11.6	318.5		31.6	42.5	16	

Note 1 Operating data considering 85% of shaft efficiency and 30kg of ropes weight.

Note 2 For different ropes weight and shaft efficiency, please consult sales department or our configurator software.



Montanari Lifts Components Pvt. Ltd.

Email: infoindia@montanari-giulio.com
www.montanarigiulio.com
www.montanarilift.in