

# MGI27L

Gearless Type	Traction Sheave [mm]		Dimensions [mm]			
	Ø D	F	A	B	C	E
MGI27L	240	70	680	325	362	55
MGI27L	240	106	680	325	362	64
MGI27L	320	115	680	342	362	66.5

**Static Load**  
3,400kg

**Normal Torque**  
630Nm

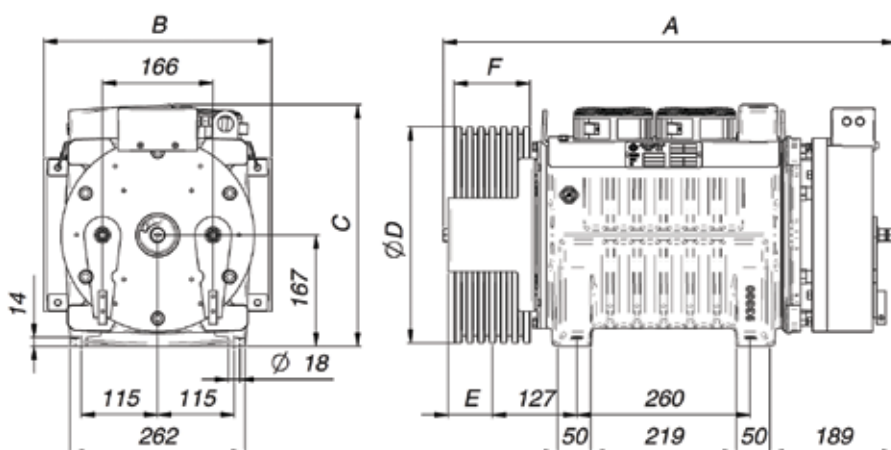
**Motor Weight**  
240kg

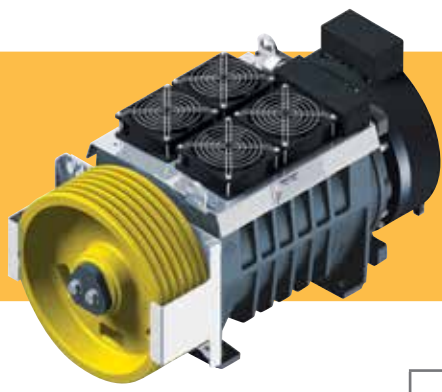
**Working Duty**  
S5-40%ED 180s/h

**Encoder Type**  
ENDAT, SINCOS, SSI

**Brake Type**  
DSZ-600MTX [2x600Nm]

**Brake Power**  
207V 200W





# MGI27L

Machine Type	Roping Factor	Load [Kg]	Lift Speed [m/s]	Sheave			Operating Data						
				Diameter [mm]	Max Ropes	Pitch [mm]	Voltage [V]	Torque [Nm]	Output Power [kW]	Speed [RPM]	Current [A]	Frequency [Hz]	Poles
MGI27260603	2:1	1,224	0.5	320	7xØ8	13	360 3ph	630	3.9	59.7	15.0	8.0	16
MGI27261203			0.63	320	7xØ8	13		630	5.0	75.2	22.0	10.0	16
MGI27261203			1	320	7xØ8	13		630	7.9	119.4	22.0	15.9	16
MGI27262103			1.5	320	7xØ8	13		630	11.8	179.1	32.0	23.9	16
MGI27262103			1.75	320	7xØ8	13		630	13.8	209.0	35.0	27.9	16
MGI27262553			2.00	320	7xØ8	13		630	15.8	238.9	40.0	31.8	16
MGI27263603			2.5	320	7xØ8	13		630	19.7	298.6	52.0	39.8	16
MGI27261203	2:1	1,500	0.5	240	10xØ6.5	9.5		568	4.7	79.6	19.8	10.6	16
MGI27261203			0.63	240	10xØ6.5	9.5		568	6.0	100.3	19.8	13.4	16
MGI27261603			1	240	10xØ6.5	9.5		568	9.5	159.2	25.2	21.2	16
MGI27202553			1.5	240	10xØ6.5	9.5		568	14.2	238.9	36.1	31.8	16
MGI27203603			1.75	240	10xØ6.5	9.5		568	16.6	278.7	46.9	37.2	16

**Note 1** Operating data considering 85% of shaft efficiency and 35kg of ropes weight.

**Note 2** For different ropes weight and shaft efficiency, please consult sales department or our configurator software.

