

MGI17

Gearless Type	Traction Sheave [mm]		Dimensions [mm]			
	Ø D	F	A	B	C	E
MGI17	160	88	510	225	297	315.5

Static Load
2,000kg

Normal Torque
125Nm

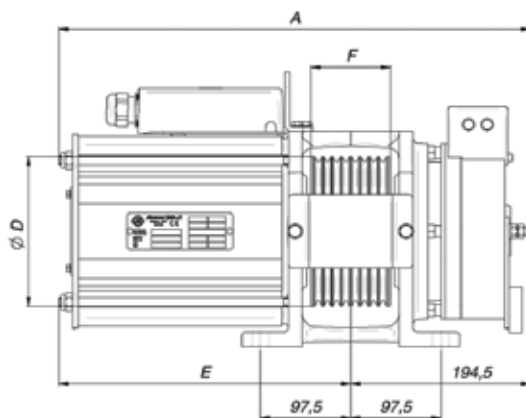
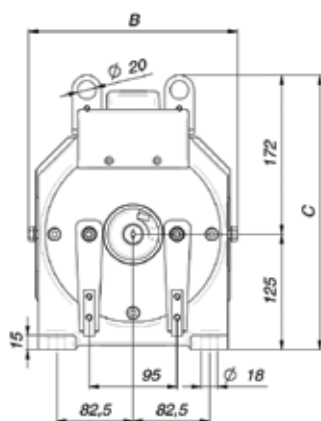
Motor Weight
80kg

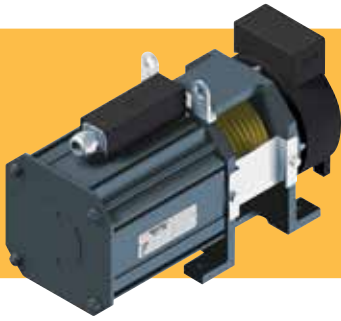
Working Duty
S5-25%ED 180s/h

Encoder Type
ENDAT, SINCOS, SSI

Brake Type
DSZ-100MTX [2x100Nm]

Brake Power
207V





MGI17

Machine Type	Roping Factor	Load [Kg]	Lift Speed [m/s]	Sheave			Operating Data						
				Diameter [mm]	Max Ropes	Pitch [mm]	Voltage [V]	Torque [Nm]	Output Power [kW]	Speed [RPM]	Current [A]	Frequency [Hz]	Poles
MGI171532035212	2:1	340	0.3	160	5xØ6 5xØ6,5	12	210 1ph	97	0.7	71.7	8.3	9.6	16
MGI171532035212			0.6	160	5xØ6 5xØ6,5	12		97	1.5	143.3	8.3	19.1	16

Note 1 Operating data considering 85% of shaft efficiency and 20kg of ropes weight.

Note 2 For different ropes weight and shaft efficiency, please consult sales department or our configurator software.

