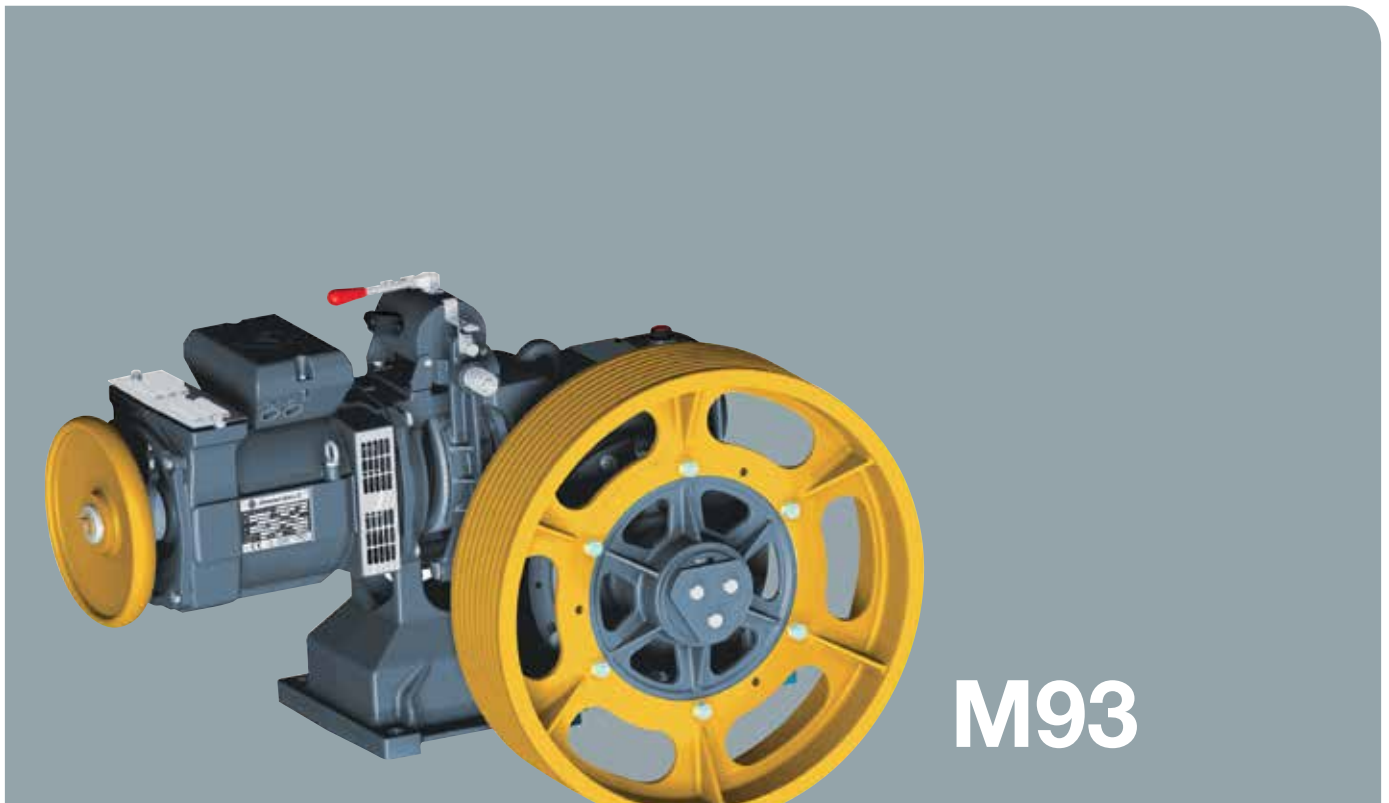


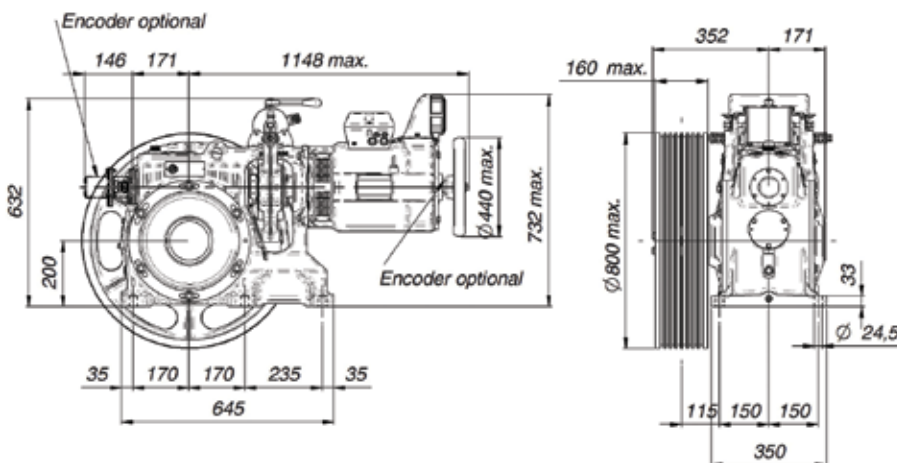


Montanari Lifts Components Pvt. Ltd.

World-Class Italian
Manufacturing Technology



M93



Static Load
5,000kg max.

Oil Capacity
6.0L

Oil Grade
VG 320

**Gear Weight Without Motor,
Sheave and flywheel**
250kg

Montanari Lifts Components Pvt. Ltd.
Plot No.G3, MIDC Phase - III Chakan,
Pune 410501, India
Tel./Fax: +91 2135 669900

Email: infoindia@montanari-giulio.com
www.montanarigiulio.com
www.montanarilift.in





M93: Machine Selection Chart

Sheave (mm)	Gear Ratio	Efficiency 0.8		Power (kw)							
		Sync Speed (m/sec)	Async Speed (m/sec)	5.5	7.5	9	11	13	15	18.5	22
450	1/43	0.82	0.79	830	1132	1358	1660	1794			
480	1/43	0.88	0.84	778	1061	1273	1556	1682			
450	1/39	0.91	0.87	794	1083	1299	1588	1794			
520	1/43	0.95	0.91	718	979	1175	1436	1553			
480	1/39	0.97	0.93	744	1015	1218	1489	1682			
550	1/43	1.00	0.96	679	926	1111	1358	1468			
520	1/39	1.05	1.01	687	937	1124	1374	1553			
580	1/43	1.06	1.02	644	878	1054	1288	1392			
600	1/43	1.10	1.05	622	849	1018	1245	1346			
550	1/39	1.11	1.06	650	886	1063	1299	1468			
580	1/39	1.17	1.12	616	840	1008	1232	1392			
650	1/43	1.19	1.14	575	783	940	1149	1242			
600	1/39	1.21	1.16	595	812	974	1191	1346			
700	1/43	1.28	1.23	533	727	873	1067	1153			
650	1/39	1.31	1.26	550	750	899	1099	1242			
700	1/39	1.41	1.35	510	696	835	1021	1153			
450	2/49	1.44	1.38	531	724	869	1062	1255	1318		
800	1/43	1.46	1.40	467	637	764	934	1009			
480	2/49	1.54	1.48	498	679	815	996	1177	1235		
800	1/39	1.61	1.55	447	609	731	893	1009			
520	2/49	1.67	1.60	460	627	752	919	1086	1140		
550	2/49	1.76	1.69	435	593	711	869	1027	1078		
580	2/49	1.86	1.78	412	562	674	824	974	1022		
600	2/49	1.92	1.85	398	543	652	797	942	988		
650	2/49	2.08	2.00	368	501	602	735	869	912		
700	2/49	2.24	2.15	341	466	559	683	807	847		
450	3/47	2.26	2.17	360	491	590	721	852	983	1212	1232
480	3/47	2.41	2.31	338	461	553	676	798	921	1136	1155
520	3/47	2.61	2.50	312	425	510	624	737	850	1049	1066
550	3/47	2.76	2.65	295	402	482	590	697	804	992	1008
580	3/47	2.91	2.79	280	381	457	559	661	762	940	956
600	3/47	3.01	2.89	270	369	442	541	639	737	909	924
650	3/47	3.26	3.13	249	340	408	499	590	680	839	853
700	3/47	3.51	3.37	232	316	379	463	548	632	779	792
750	3/47	3.76	3.61	216	295	354	432	511	590	727	739

