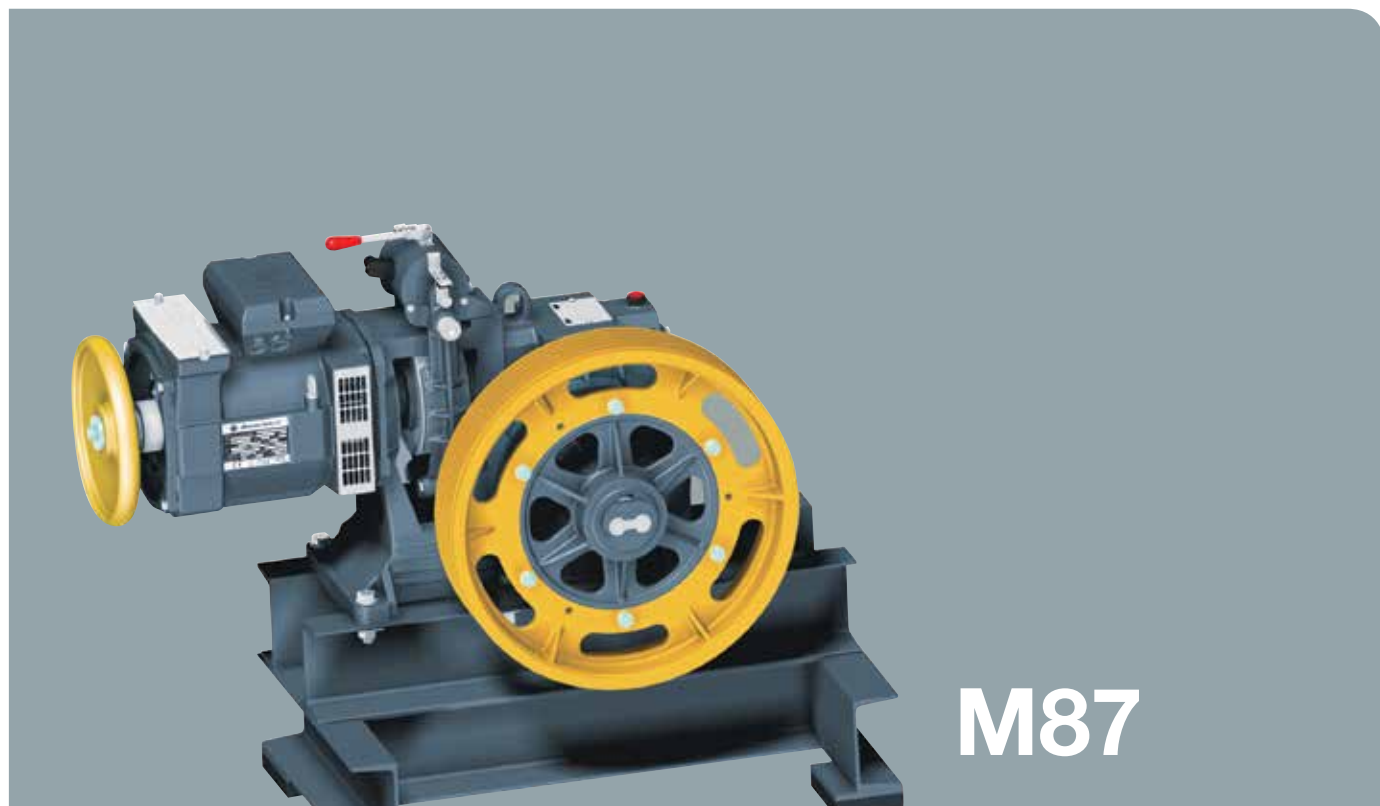


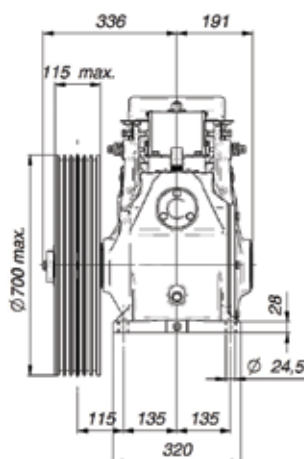
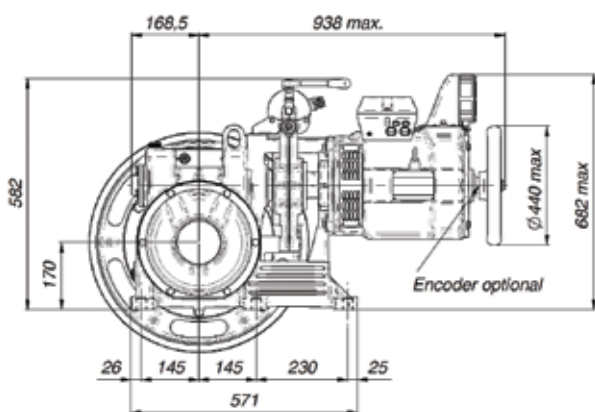


Montanari Lifts Components Pvt. Ltd.

World-Class Italian
Manufacturing Technology



M87



Static Load
3,200kg max.

Oil Capacity
4.5L

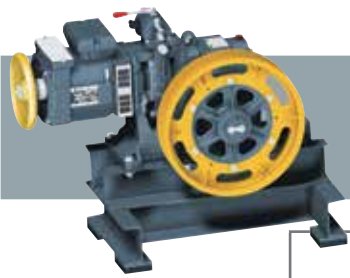
Oil Grade
VG 320

**Gear Weight Without Motor
and Sheave**
169kg

Montanari Lifts Components Pvt. Ltd.
Plot No.G3, MIDC Phase - III Chakan,
Pune 410501, India
Tel./Fax: +91 2135 669900

Email: infoindia@montanari-giulio.com
www.montanarigiulio.com
www.montanarilift.in





M87: Machine Selection Chart

Sheave (mm)	Gear Ratio	Efficiency 0.8		Power (kw)					
		Sync Speed (m/sec)	Async Speed (m/sec)	3	4	5.5	7.5	9	11
450	1/53	0.67	0.64	547	730	779			
450	1/50	0.71	0.68	531	707				
480	1/53	0.71	0.68	513	684	889			
480	1/50	0.75	0.72	497	663	731			
520	1/53	0.77	0.74	474	632	833			
450	1/43	0.82	0.79	474	633	674	978		
520	1/50	0.82	0.78	459	612	870			
550	1/53	0.82	0.78	448	597	769			
550	1/50	0.86	0.83	434	579	638			
580	1/53	0.86	0.83	425	566	727			
480	1/43	0.88	0.84	445	593	816	917		
600	1/53	0.89	0.85	411	547	585			
450	1/39	0.91	0.87	4	544	749	782		
580	1/50	0.91	0.87	412	549	690			
600	1/50	0.94	0.90	398	531	667			
520	1/43	0.95	0.91	411	547	753	846		
450	1/37	0.96	0.92	377	502	691	942	996	
650	1/53	0.96	0.92	379	505	540			
480	1/39	0.97	0.93	383	510	702	733		
550	1/43	1.00	0.96	388	518	712	800		
450	2/70	1.01	0.97	381	508	699	836		
480	1/37	1.02	0.98	353	471	648	883	933	
650	1/50	1.02	0.98	367	490	615			
520	1/39	1.05	1.01	353	471	648	677		
580	1/43	1.06	1.02	368	491	675	759		
480	2/70	1.08	1.03	357	477	655	783		
520	1/37	1.10	1.06	326	435	598	815	862	
600	1/43	1.10	1.05	356	474	652	733		
550	1/39	1.11	1.06	334	445	612	640		
550	1/37	1.17	1.12	308	411	565	771	815	
580	1/39	1.17	1.12	317	422	581	607		
520	2/70	1.17	1.12	330	440	605	723		
650	1/43	1.19	1.14	328	438	602	677		
600	1/39	1.21	1.16	306	408	561	587		
580	1/37	1.23	1.18	292	390	536	731	772	
550	2/70	1.23	1.18	312	416	572	684		
600	1/37	1.27	1.22	283	377	518	707	747	
580	2/70	1.30	1.25	296	394	542	648		
650	1/39	1.31	1.26	283	377	518	542		
600	2/70	1.35	1.29	286	381	524	627		
650	1/37	1.38	1.32	261	348	478	652	689	
450	2/50	1.41	1.36	297	396	545	743	891	960
650	2/70	1.46	1.40	264	352	484	578		
480	2/50	1.51	1.45	279	371	511	696	836	900
520	2/50	1.63	1.57	257	343	471	643	771	831
450	2/41	1.72	1.66	238	317	436	595	713	754
550	2/50	1.73	1.66	243	324	446	608	729	785
580	2/50	1.82	1.75	230	307	423	576	691	745
480	2/41	1.84	1.77	223	297	409	557	669	707
600	2/50	1.88	1.81	223	297	408	557	668	720
520	2/41	1.99	1.91	206	274	377	514	617	652
650	2/50	2.04	1.96	206	274	377	514	617	665
550	2/41	2.11	2.02	195	259	357	486	584	617
580	2/41	2.22	2.13	185	246	338	461	554	585
600	2/41	2.30	2.21	178	238	327	446	535	565
650	2/41	2.49	2.39	165	220	302	412	494	522

