

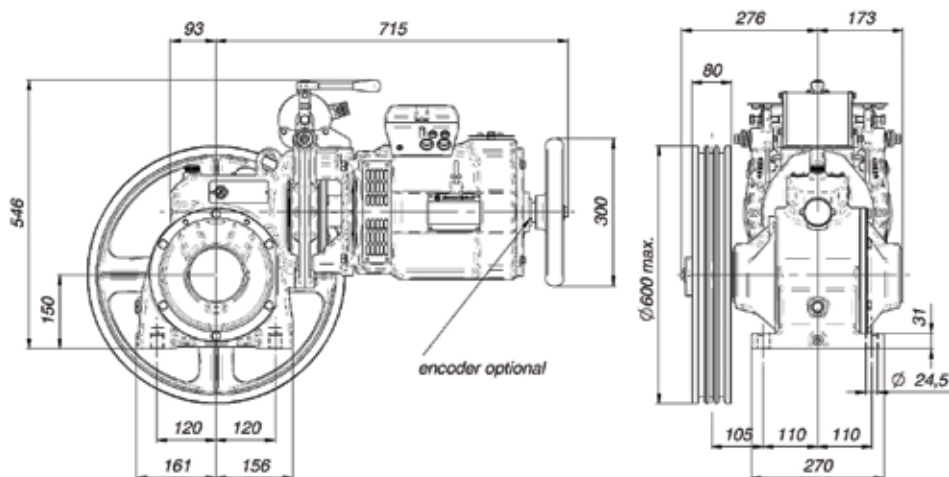


Montanari Lifts Components Pvt. Ltd.

World-Class Italian
Manufacturing Technology



M77



Static Load
2,300kg max.

Oil Capacity
3.2L

Oil Grade
VG 320

**Gear Weight Without Motor
and Sheave**
110kg

Montanari Lifts Components Pvt. Ltd.
Plot No.G3, MIDC Phase - III Chakan,
Pune 410501, India
Tel./Fax: +91 2135 669900

Email: infoindia@montanari-giulio.com
www.montanarigiulio.com
www.montanarilift.in





M77: Machine Selection Chart

Sheave (mm)	Gear Ratio	Efficiency 0.8		Power (kw)	
		Sync Speed (m/sec)	Async Speed (m/sec)	4	5.5
520	1/60	0.68	0.65	578	
550	1/60	0.72	0.68	547	
520	1/55	0.74	0.71	635	
550	1/55	0.79	0.71	600	
600	1/55	0.86	0.81	550	
520	1/46	0.89	0.84	652	
550	1/46	0.94	0.89	616	
600	1/46	1.02	0.97	565	
520	1/37	1.10	1.06	507	612
550	1/37	1.17	1.12	480	579
600	1/37	1.27	1.21	440	531
520	2/55	1.49	1.43	350	470
550	2/55	1.57	1.51	331	445
600	2/55	1.71	1.65	303	407
520	2/37	2.21	2.12	254	333
550	2/37	2.33	2.24	240	315
600	2/37	2.55	2.45	220	289

